

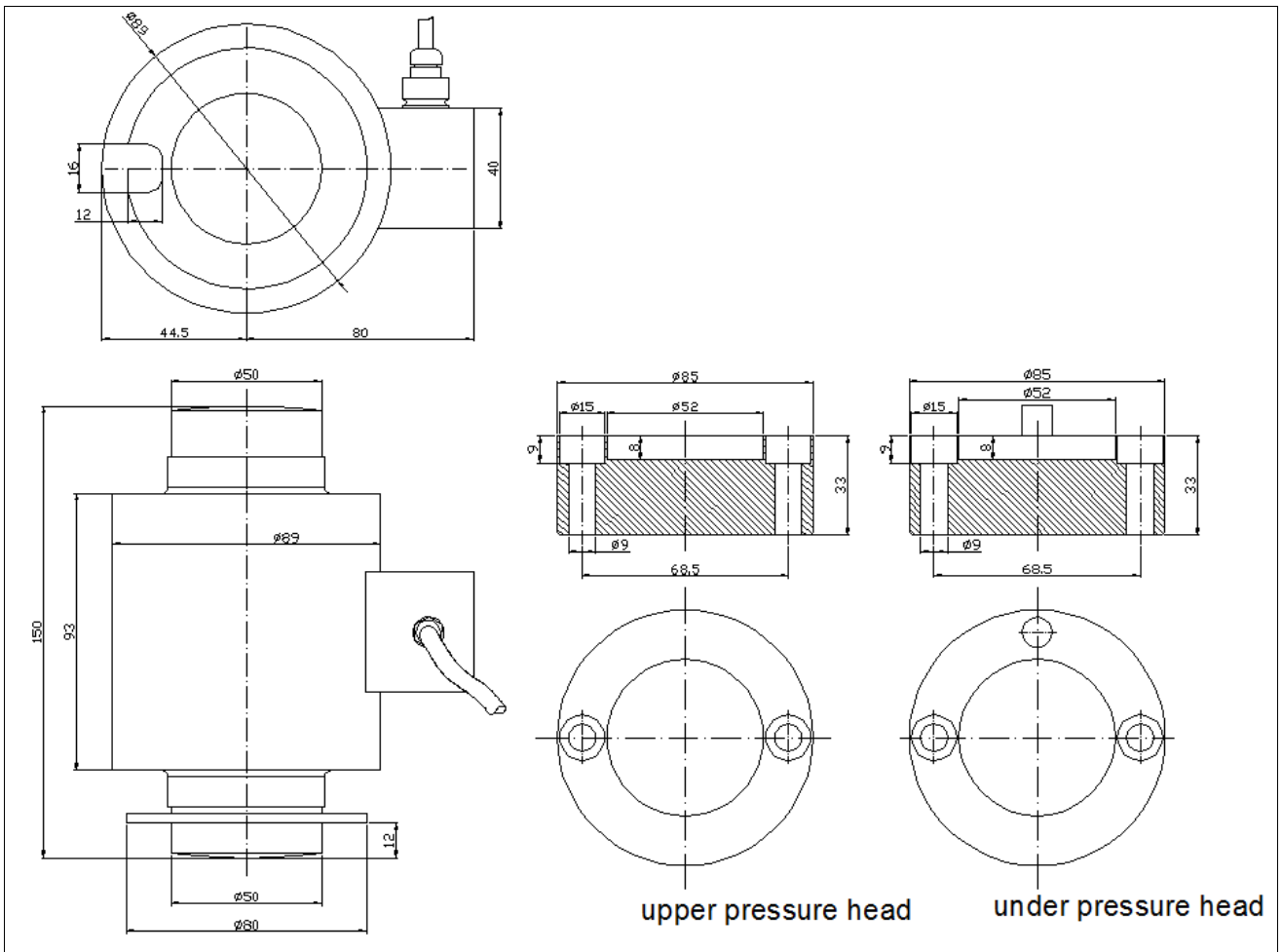
Model: CZL425

Type: column type load cell
Material: full stainless steel
Protection: IP68
Application: weighbridge, truck scales, automobile testing facilities, hopper scales and other electronic weighing devices in harsh fields.
Advantages(comparing to traditional bridge type load cell):
Higher precision(C3), much higher water protection class(IP68), more convenient installation.

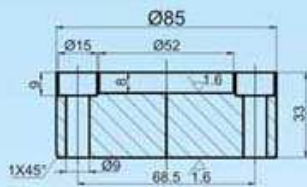
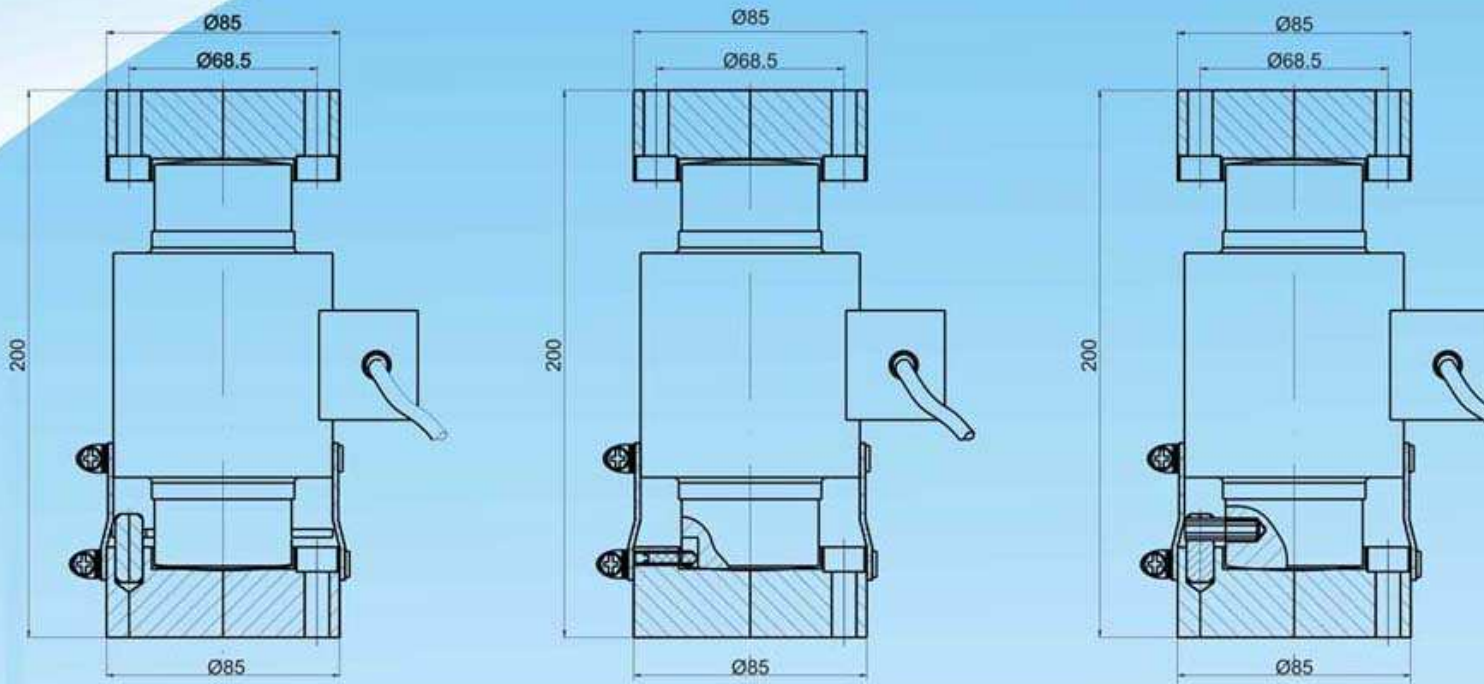


1. Rated Load	10t, 20t, 30t,40t
2. Rated Output	2.0+/-0.002mV/V
3. Zero Balance	±1%F.S
4. Input Resistance	700±5Ω
5. Output Resistance	700±5Ω
6. Excitation Voltage	5-12VDC
7. Combined Error	C3
8.Operating Temperature	-35℃ To +70℃
9.Temperature Effect on Zero	0.017%F.S/10℃
10.Temperature Effect on Span	0.02%F.S/10℃
11.Insulation Resistance	5000MΩ(50VDC)
12. Safe Overload	150%F.S
13.Ultimate Overload	200%FS
14. Cable	12m

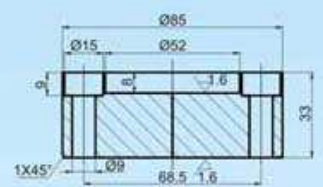
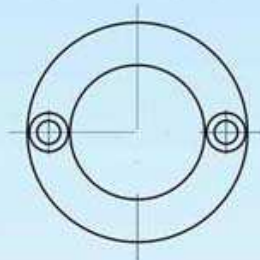
Dimensions:



Installation:



上端配件
The upper parts



下端配件
The bottom parts

