

XDB101-3 series flush diaphragm ceramic pressure sensor



● Introduction

XDB101-3 series flush diaphragm ceramic pressure sensor is the latest micro-pressure pressure core in XIDIBEI, with pressure ranges from -10KPa to 0 to 10Kpa, 0-40Kpa, and 0-50Kpa. It is made of 96% Al₂O₃, allowing direct contact with most acidic and alkaline media (excluding hydrofluoric acid) without the need for additional isolation protection devices, saving packaging costs.

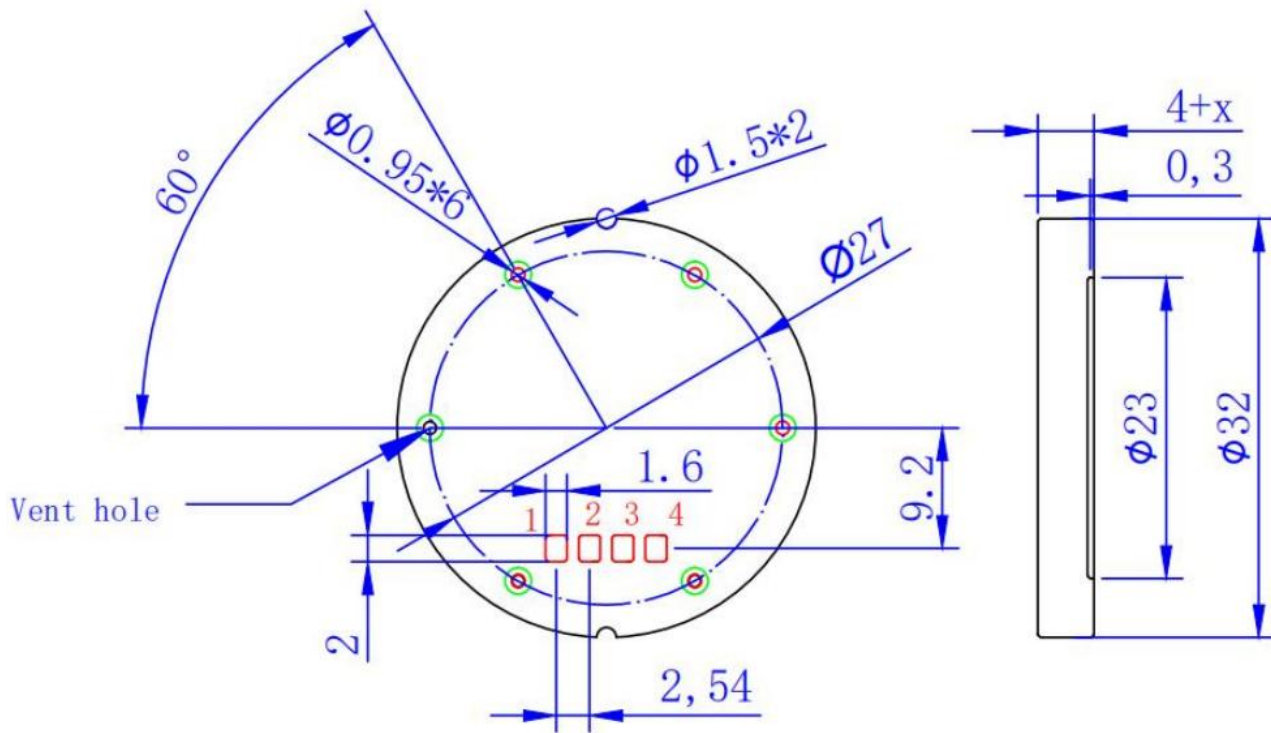
● Features

- Measuring Range: -10KPa...0KPa~40KPa...50KPa
- Size: 32*(4+X)mm
- High reliability, and flexible output options

● Application

- Industrial process control
- Micro-pressure circumstances
- Liquid level or dust pressure measurement

● Dimension (unit:mm) and Electrical connection



Wiring Diagram: 1 V- 2 Vout+
3 V+ 4 Vout-

●Parameter

Pressure range	-10KPa...0KPa~40KPa...50KPa
Product model	XDB101-3
Size mm(diameter x height)	32*(4+X)
Supply voltage	0-30VDC, maximum(30V)
Bridge road impedance	10KΩ±30%
Full range output	≥2mV/V
Operating temperature	-40~125℃
Storage temperature	-50~+150℃
Compensation temperature	-20~80℃
Temperature drift (zero & sensitivity)	≤±0.03%FS/℃
Long-term stability	≤±0.2%FS/year
Overall accuracy (linear + hysteresis)	≤+0.3% FS
Repeatability	≤±0.2%FS
Zero offset	≤±0.2 mV/V

Burst pressure	≥2 times range (by range)
Direct contact with liquid materials	96% Al ₂ O ₃
Insulation resistance	≥2KV
Zero-point long-term stability @20°C	±0.25% FS
Sensor weight	12 g
Overload pressure	150%FS
Relative humidity	0-99%